

Lotus



+Halle®

Lotus

Lotus is adaptable for numerous applications and areas. Perfect for dining areas or any other public space that needs a simple and comfortable chair. As the name implies, the design is based on the silhouette of a person sitting in lotus position. Part of the Lotus family that also comprises the Lotus Table and the Lotus Swivel chair.

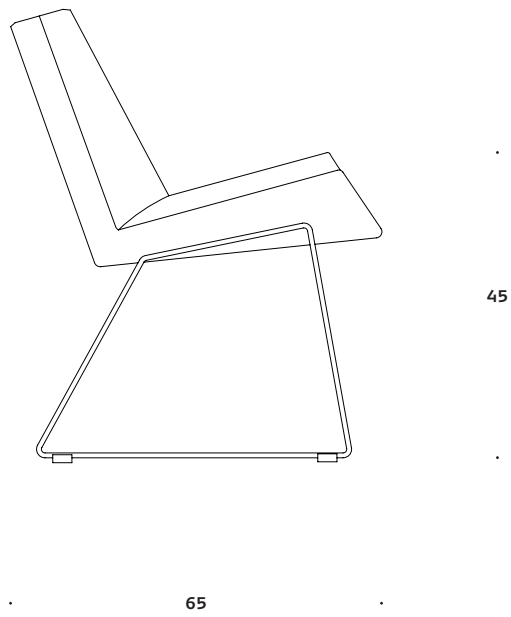
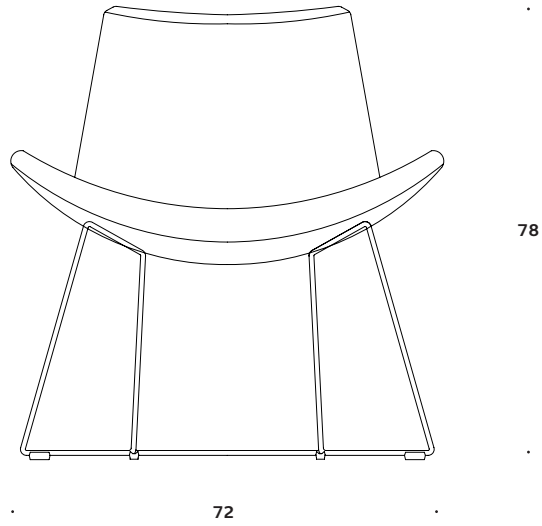
Designed by busk+hertzog

The Danish design duo was established in 2000 with a clear vision of being innovative and professional - but also with the aim of leading and inspiring a new generation of designers to further develop the Danish design legacy. The duo is located in Lisbon.



+Halle®





Dimensions defined in centimeters

Design busk+hertzog
Materials High quality moulded foam. Base in stainless steel
Fabric Available in all fabrics and leather types

Notes

A large grid of small dots for taking notes.

Creating human spaces

+Halle is a Danish high quality design furniture brand. We strive to add value to public areas by contributing to the creation of Human Spaces. The basic idea behind +Halle can be put down to a basic understanding of people.