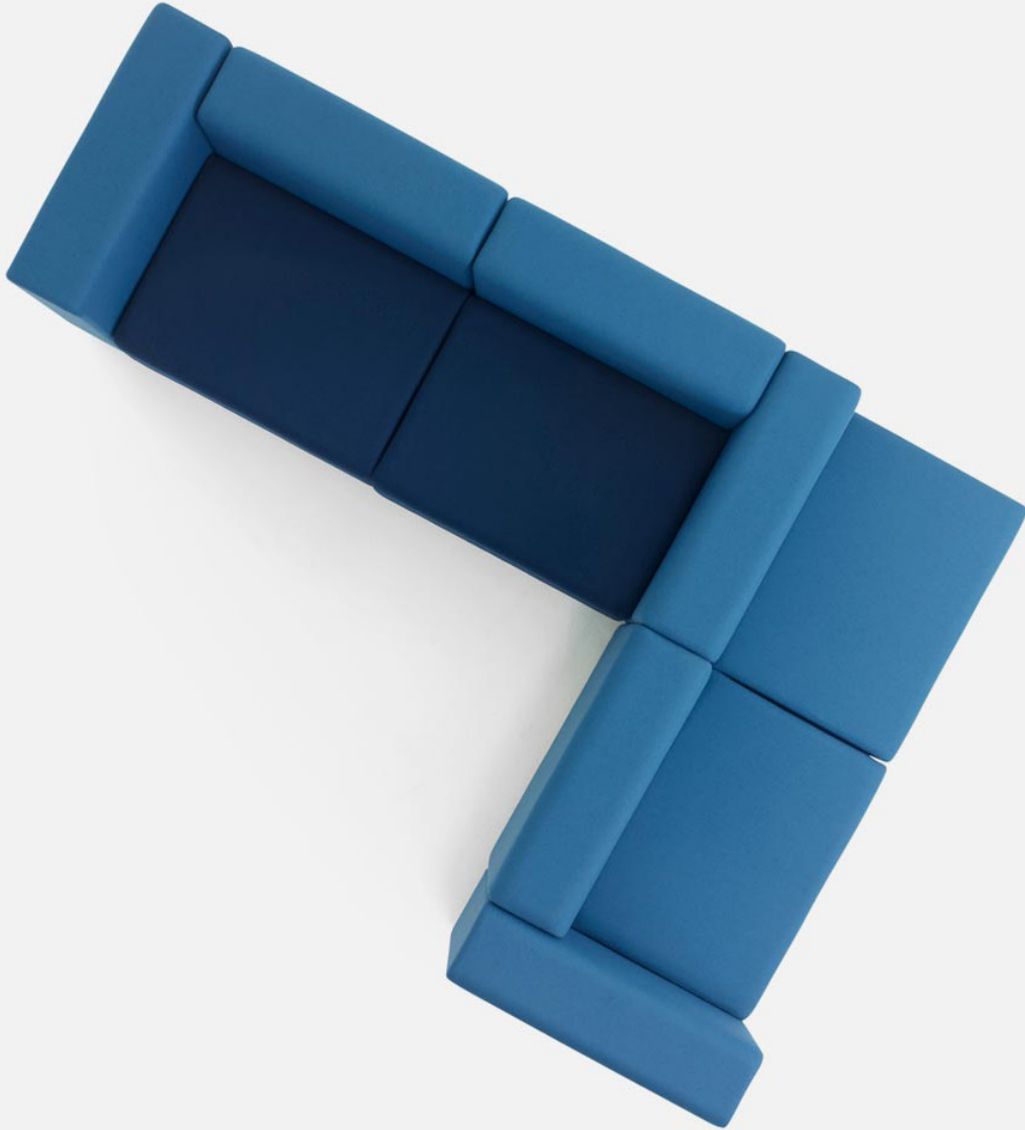


Lobby



+Halle®

Lobby

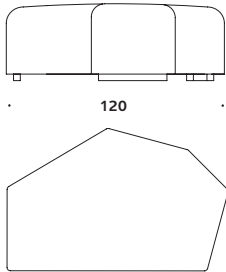
Lobby is a modular seating system that can easily be adapted into all kinds of spaces. The system is designed with a pragmatic approach to create a seating which is not only comfortable and functional, but also simplistic and inviting. Lobby is very flexible. The endless upholstery possibilities enable the creation of unique and inspiring spaces, while the diverse selection of units facilitate the creation of dynamic and flexible areas that match specific needs and requirements. Work, sit, relax and lie on the comfortable surfaces. The Power Tower has an integrated power outlet and enables charging of mobile phones, tablets or laptops.

Designed by Bønnelycke Mdd

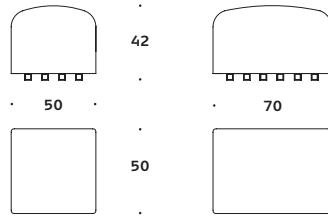
Bønnelycke MDD was established in 1988. Quickly, he became known as an unconventional architect with no whims and fancies. His ability to challenge and optimize the manufacturing process itself is to be found in Henrik's original professional background as a toolmaker.



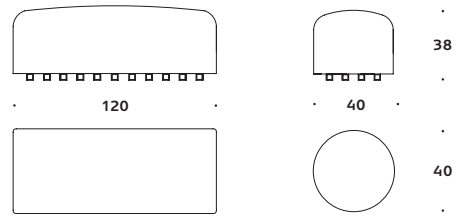
Multi Seat



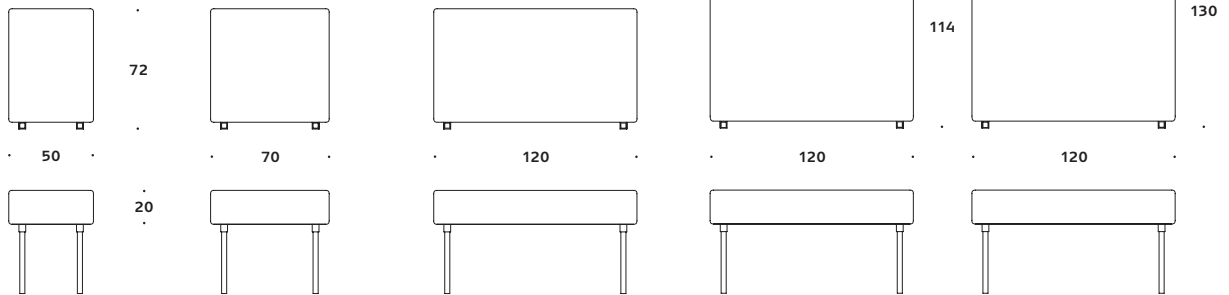
Seat



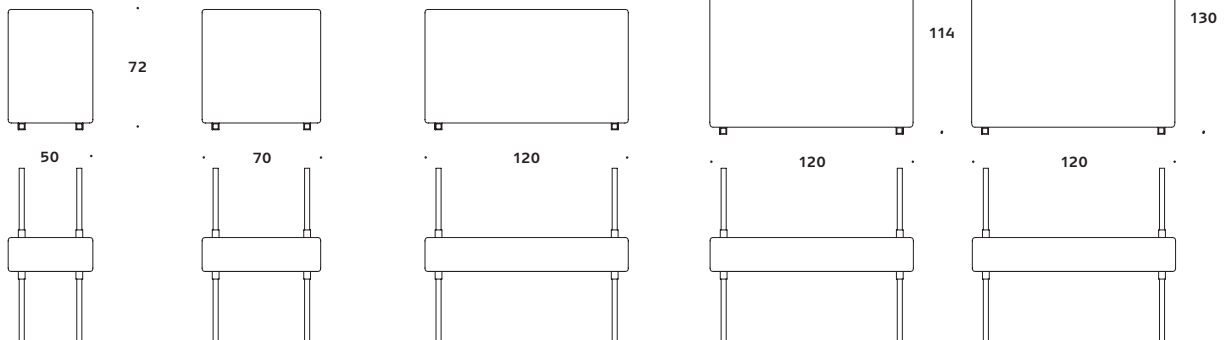
Poufs



Backs



Backs double



Dimensions defined in centimeters

Design

Bønnelycke mdd

Materials

High quality foam on plywood frame. Base in black powder coated steel

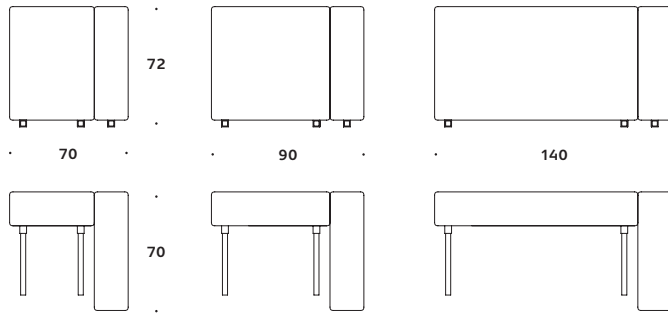
Fabric

Available in a range of various fabrics

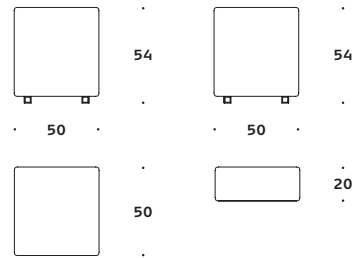
Power

Available power units: DK / GB / DE / FR

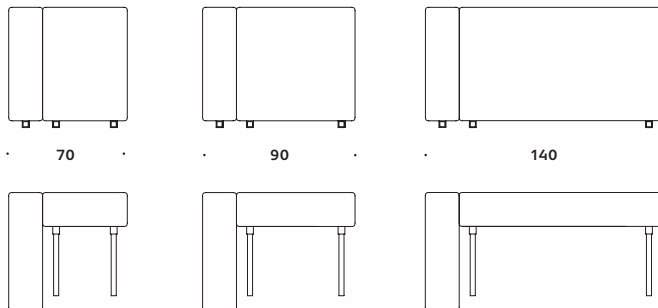
Backs with arms right



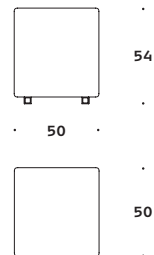
Tower



Backs with arms left



Power Tower



Dimensions defined in centimeters

Design

Bønnelycke mdd

Materials

High quality foam on plywood frame. Base in black powder coated steel

Fabric

Available in a range of various fabrics

Power

Available power units: DK / GB / DE / FR

Notes

A large grid of small dots for taking notes, consisting of 20 columns and 30 rows.

Creating human spaces

+Halle is a Danish high quality design furniture brand. We strive to add value to public areas by contributing to the creation of Human Spaces. The basic idea behind +Halle can be put down to a basic understanding of people.